

# ZDB-600-Q9 Fully-auto Bagging Machine

## i. The full set includes

Description	QTY	
Auto Bag-giving machine	1 set	
High speed weighing scale	1 set	
Packing machine	1 set	
Conveyor with stitching machine (1 set)	Bag feed in machine	1 unit
	Stitching machine	1 unit

## ii. Main configure:

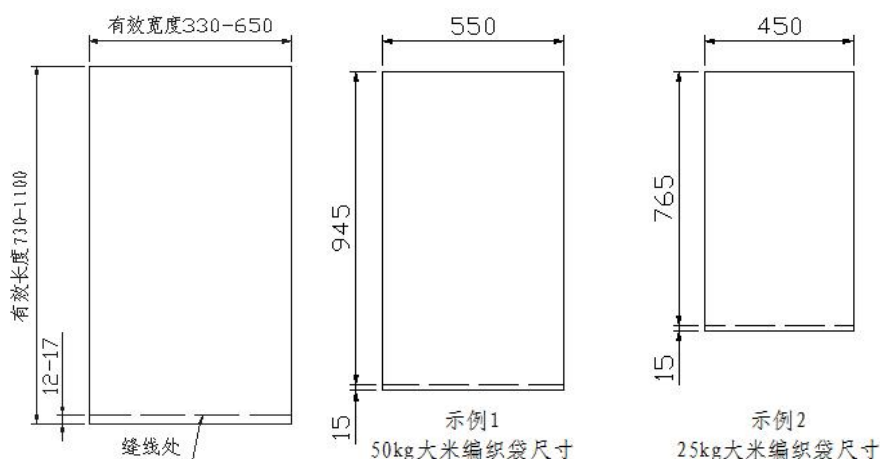
Product description	Configuration
Touch Screen	Japan/Omron
Weighing controller	Canada/General measure
Load Cells	USA/Celtron
Power Switch	Japan/Omron
PLC	Japan/Omron
Limit switch	Japan/Omron
Miniature Circuit Breaker	France/ Schneider
button、knob	France/ Schneider
intermediate relay	Japan/Omron
cylinder	Taiwan/AirTac
Electric cylinder	Japan/SMC、IAI
solenoid valve	Taiwan/airtac
Servo motor	China/ Inovance
Vacuum pump	Germany/leybold
Stitching machine	China/Bafang (optional: Japan/Newlong)

## iii. Technical Parameters

Packing speed	500-600 bags/hour
Package weight	25-50kg
Bag range	L: 730-1100 W: 330-650 mm
Applicable materials	Granular materials such as rice
Air pressure	0.5-0.6MPa
Power	3 phase 380/220VMPa
Accuracy	+/- 0.2%
Power Consumption	6KW

Bag storage	100-300
Sizes	4430×3800×3750

#### iv. Bag requirements



#### The basic requirements

1. the front and back hardness of the bag can not be too different (the specific test is subject to the actual test)
2. mouth of bag not sticky
3. bag and bag corners are flat and thickness is good
4. need bag samples before final confirmation.

#### v. Function and features

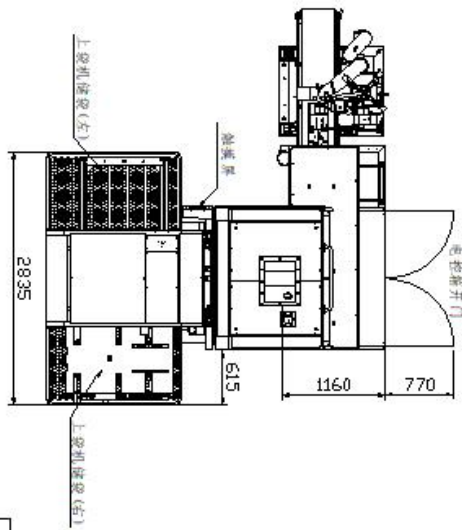
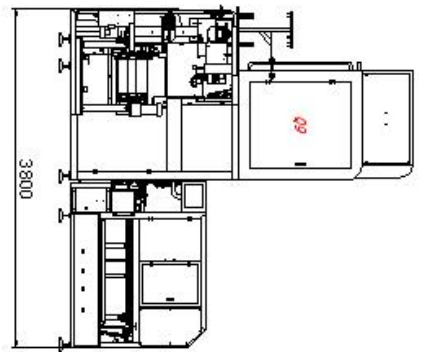
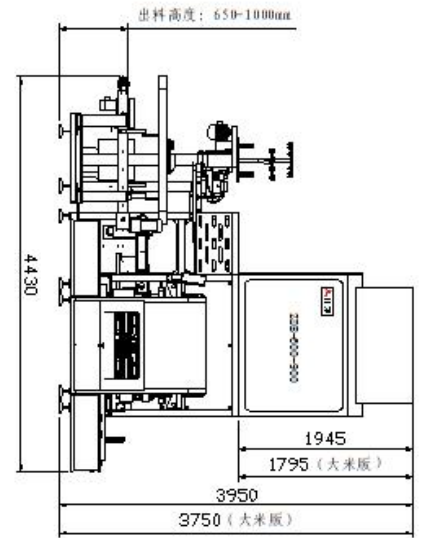
1. Double working station bag giving system. 100-300 bags can be stored.  
There are detectors for alarm if either of working station's bags are finished.
2. There is air pressure detecting device in the process of picking up the bag, opening the bag, clamping the bag and filling the bag. Unqualified bags will be kicked out automatically without stopping the working.
3. Bag-clamping movement and discharge gate are using two independent systems which make the bag clamping more stable
4. Using the big finger cylinder can make sure the bag mouth to be smooth.
5. It adopts plastic chain plate conveyor belt, gear meshing transmission, which is not easy to slip and deflect; the conveyor belt and the upper guide bag mechanism adopt mechanical linkage to ensure the synchronization of the conveying process.

6. All the major motoring are using servo moters. It's very easy to adjust for different packing specifications, no need manual adjustment.

**vi. Product Photo**



**vii. Installation size:**



标记	页数	分节	更改文件号	签名	年、月、日				
设计			标准化						
绘图			审核						
板绘			批准						
工艺									
						附段标记	数量	比例	
						8	1	1:50	
						共 1 张 第 1 张			
						漳州佳龙 科技股份有限公司			
						编织袋全自动包装 机组			
						ZDB-600-09			